

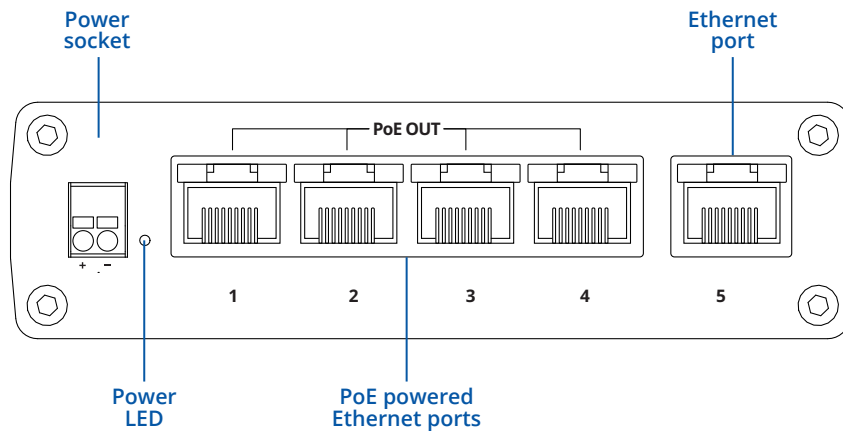


# TSW101

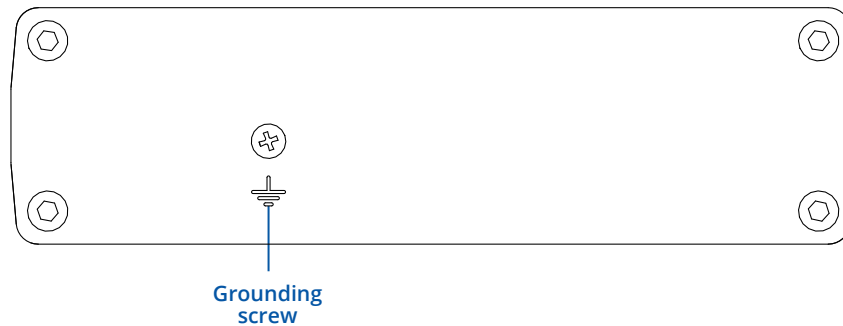


# HARDWARE

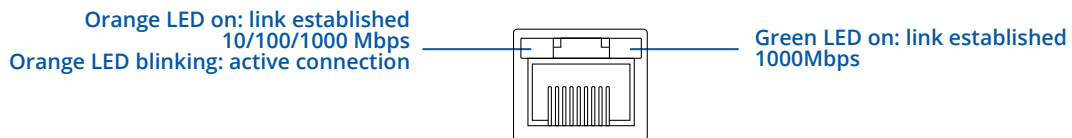
## FRONT VIEW



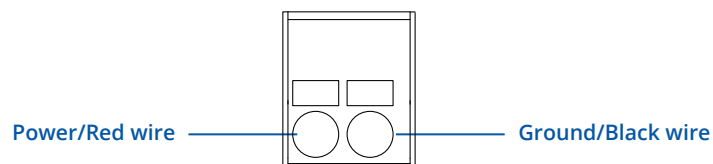
## BACK VIEW



## RJ45 LED MEANING



## POWER SOCKET PINOUT



## FEATURES

### ETHERNET

ETH	5 x ETH ports, 10/100/1000 Mbps, supports auto MDI/MDIX crossover
IEEE 802.3 series standards	802.3i, 802.3u, 802.3ab, 802.3x, 802.3az

### POE OUT

PoE ports	Port 1- 4
PoE Max Power per Port (at PSE)	30 W
Total PoE Power Budget (at PSE)	60 W
Maximum Ethernet cable length	100 m
PoE standards	802.3af and 802.3at Alternative A

### PERFORMANCE SPECIFICATIONS

Bandwidth (Non-blocking)	10 Gbps
Packer buffer	128 KB
MAC address table size	2K entries
Jumbo frame support	9216 bytes

### POWER

Connector	2-pin industrial DC power socket
Input voltage range	9 – 30 VDC
PoE-out input voltage range	9 – 30 VDC
Power consumption	Idle: 0.64 W / Max: 2.31 W / PoE Max: 62.3 W
PSU	12 V or 24 V car battery-powered. No additional PSU is required.

### PHYSICAL INTERFACES

Ethernet	5 x RJ45 ports, 10/100/1000 Mbps
Status LEDs	1 x Power LED, 10 x ETH status LEDs
Power	1 x 2-pin industrial DC power socket
Other	1 x Grounding screw

### PHYSICAL SPECIFICATION

Casing material	Aluminium housing
Dimensions (W x H x D)	115 x 32 x 95 mm
Weight	384 g
Mounting options	DIN rail, wall mount, flat surface (all require additional kit)

### OPERATING ENVIRONMENT

Operating temperature	-40 °C to 75 °C
Operating humidity	10% to 95% non-condensing
Ingress Protection Rating	IP30

### REGULATORY & TYPE APPROVALS

Regulatory	CE, REACH, RoHS, WEEE; TSW101 CE; TSW101 UKCA; TSW101 FCC; TSW101 IC; TSW101 CB; TSW101 RCM; E-Mark
------------	---

### EMC EMISSIONS & IMMUNITY

Standards	EN 55032:2015 + A11:2020 + A1:2020; EN 55035:2017 + A11:2020
ESD	EN 61000-4-2:2009
Radiated Immunity	EN IEC 61000-4-3:2020
EFT	EN 61000-4-4:2012
Surge immunity (AC Power Line)	EN 61000-4-5:2014 + A1:2017
CS	EN 61000-4-6:2014

### SAFETY

Standards	CE: EN IEC 62368-1:2020 + A11:2020, EN IEC 62311:2020, EN 50665:2017 RCM: AS/NZS 62368.1:2022 CB: IEC 62368-1:2018
-----------	--

## WHAT'S IN THE BOX?

### STANDARD PACKAGE CONTAINS

- TSW101
- QSG (Quick Start Guide)
- Packaging box



## CLASSIFICATION CODES

HS Code: 851762

HTS: 8517.62.00

For more information on all available packaging options – please contact us directly.

## AVAILABLE VERSIONS

HARDWARE VERSION	SUPPORTED FREQUENCIES	STANDARD ORDER CODE / PACKAGE CONTAINS
TSW101 *****	N/A	TSW101000000 / Standard package TSW101000020 / Mass packing code

## TSW101 SPATIAL MEASUREMENTS & WEIGHT

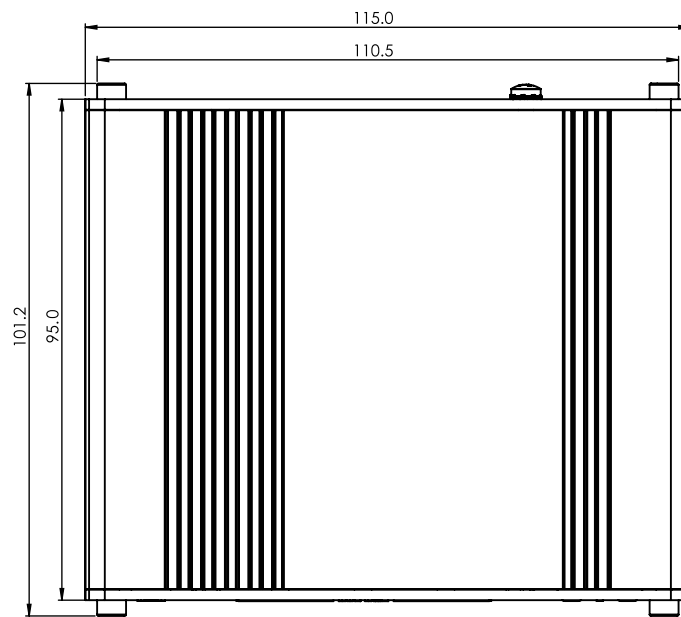
### MAIN MEASUREMENTS

W x H x D dimensions for TSW101:

Device housing:	115 x 32 x 95 mm
Box:	173 x 71 x 148 mm

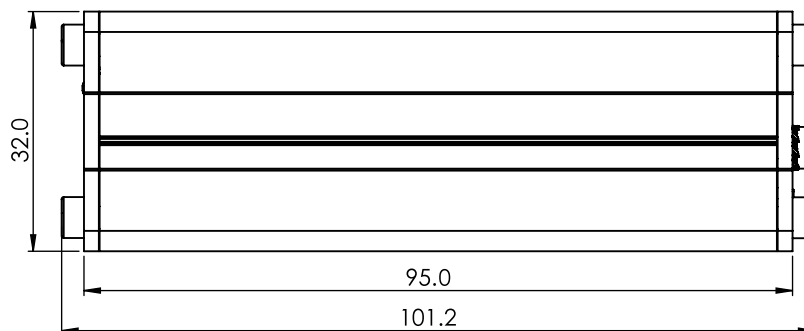
### TOP VIEW

The figure below depicts the measurements of TSW101 and its components as seen from the top:



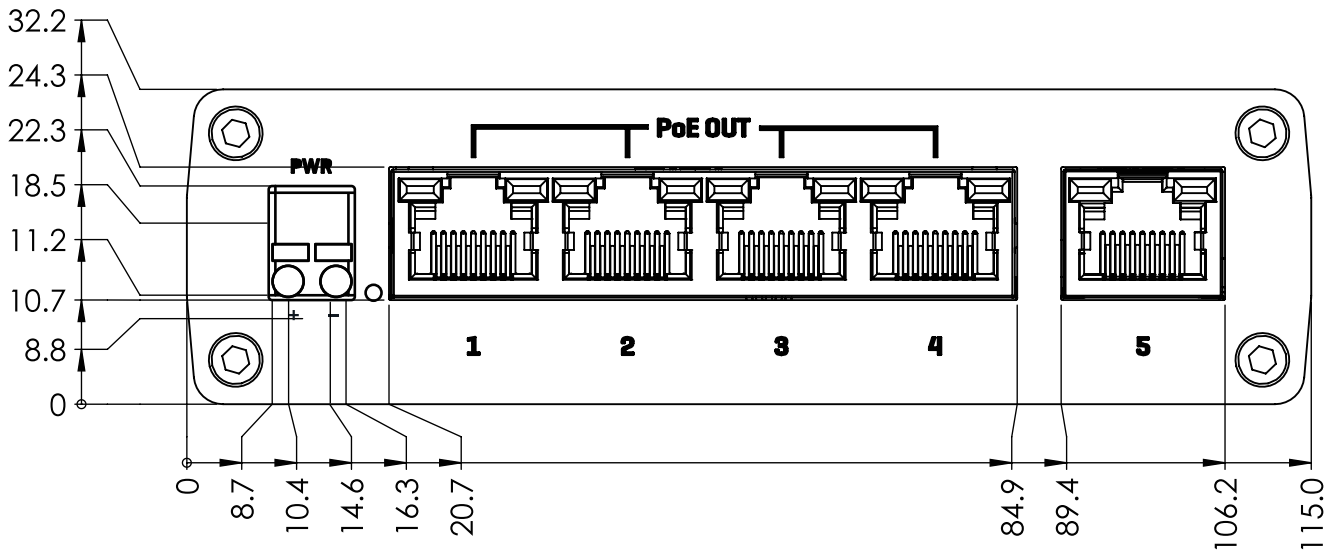
### RIGHT VIEW

The figure below depicts the measurements of TSW101 and its components as seen from the right side:



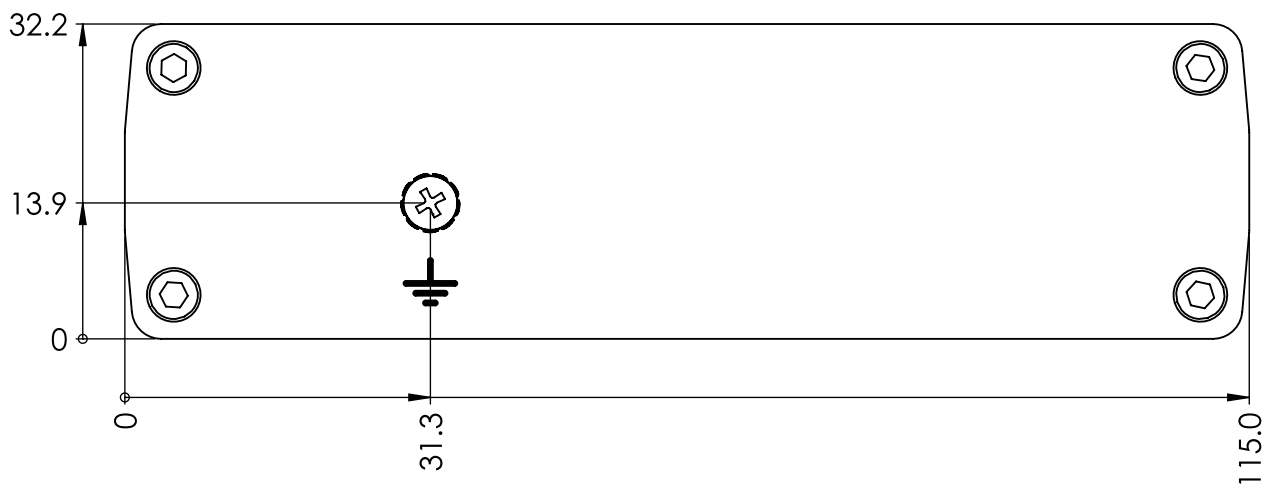
**FRONT VIEW**

The figure below depicts the measurements of TSW101 and its components as seen from the front panel side:



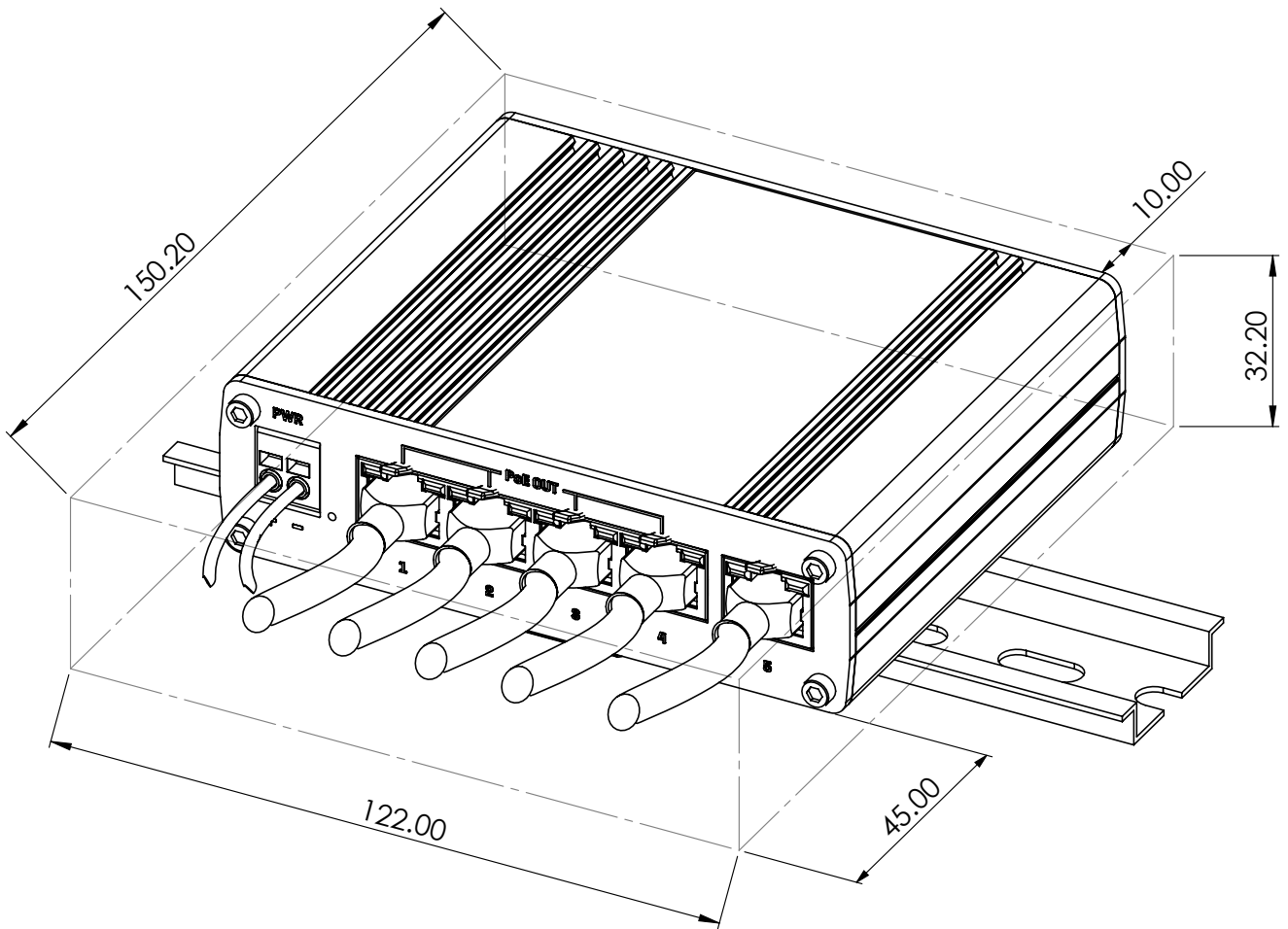
**REAR VIEW**

The figure below depicts the measurements of TSW101 and its components as seen from the back panel side:



**MOUNTING SPACE REQUIREMENTS**

The figure below depicts an approximation of the device's dimensions when cables and antennas are attached:



**DIN RAIL**

The scheme below depicts protrusion measurements of an attached DIN Rail:

