

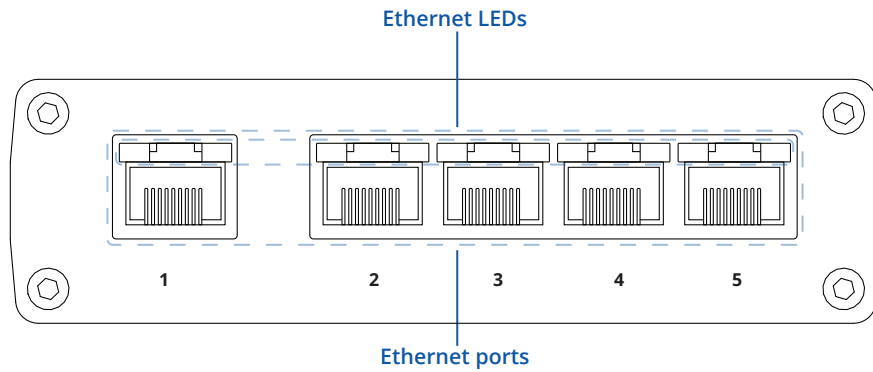


# TSW110

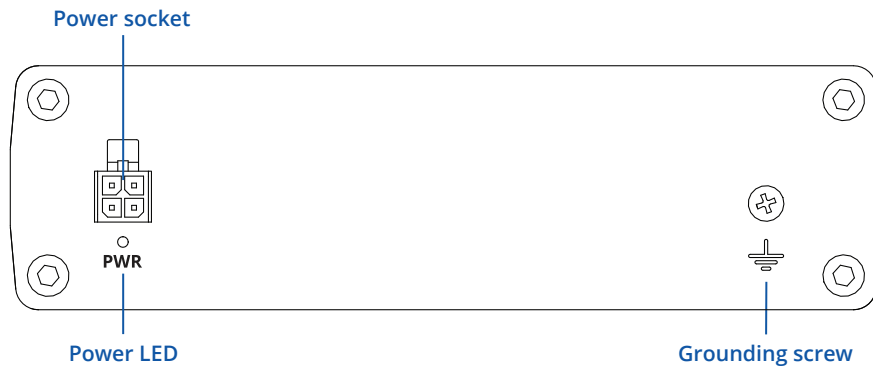


# HARDWARE

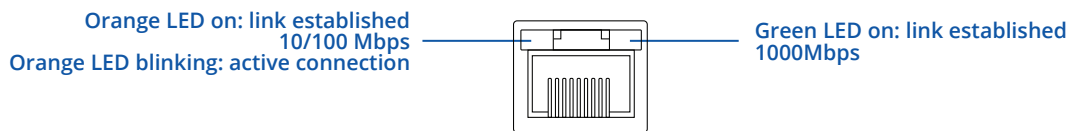
## FRONT VIEW



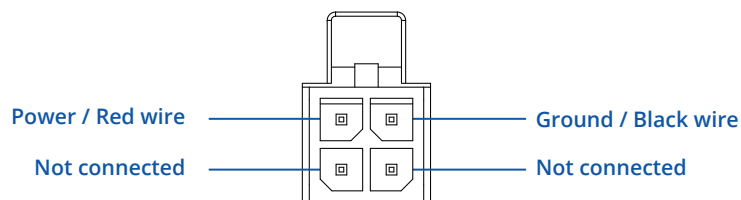
## BACK VIEW



## RJ45 LED MEANING



## POWER SOCKET PINOUT



## FEATURES

### ETHERNET

ETH 5 x ETH ports, 10/100/1000 Mbps, supports auto MDI/MDIX crossover

IEEE 802.3 series standards 802.3i, 802.3u, 802.3ab, 802.3x, 802.3az

### PERFORMANCE SPECIFICATIONS

Bandwidth (Non-blocking) 10 Gbps

Packer buffer 128 KB

MAC address table size 2K entries

Jumbo frame support 9216 bytes

### POWER

Connector 4-pin industrial DC power socket

Input voltage range 9 – 30 VDC

PoE (passive) Possibility to power up through ETH1 ports, not compatible with IEEE802.3af, 802.3at and 802.3bt standards, Mode B, 9 - 30 VDC

Power consumption < 0.4 W / < 1.8 W

### PHYSICAL INTERFACES

Ethernet 5 x RJ45 ports, 10/100/1000 Mbps

Status LEDs 1 x Power LED, 10 x ETH status LEDs

Power 1 x 4-pin power connector

Other 1 x Grounding screw

### PHYSICAL SPECIFICATION

Casing material Full aluminum housing

Dimensions (W x H x D) 100 x 30 x 85 mm

Weight 227 g

Mounting options DIN rail, wall mount, flat surface (all require additional kit)

### OPERATING ENVIRONMENT

Operating temperature -40 °C to 75 °C

Operating humidity 10% to 90% non-condensing

Ingress Protection Rating IP30

### REGULATORY & TYPE APPROVALS

Regulatory CE, UKCA, EAC, UCRF, ANRT, CITC, Kenya, FCC, IC, NOM, RCM, BSMI, CB

### EMC EMISSIONS & IMMUNITY

Standards EN 55032:2015 + A11:2020  
EN 61000-3-3:2013 + A1:2019  
EN IEC 61000-3-2:2019  
EN 55035:2017

ESD EN 61000-4-2:2009

Radiated Immunity EN IEC 61000-4-3:2006 + A1:2008 + A2:2010

EFT EN 61000-4-4:2012

Surge Immunity (AC Mains Power Port) EN 61000-4-5:2014 + A1:2017

CS EN 61000-4-6:2014

DIP EN 61000-4-11:2004 + A1:2017

### SAFETY

Standards IEC 62368-1:2018  
EN IEC 62368-1:2020+A11:2020

## STANDARD PACKAGE\*

- TSW110
- 9 W PSU
- QSG (Quick Start Guide)
- Packaging bo



\* Standard package contents may differ based on standard order codes.

## CLASSIFICATION CODES

HS Code: 851762  
 HTS: 8517.62.00

For more information on all available packaging options – please contact us directly.

## AVAILABLE VERSIONS

HARDWARE VERSION	SUPPORTED FREQUENCIES	STANDARD ORDER CODE / PACKAGE CONTAINS
TSW110 *****	N/A	TSW110000000 / Standard package with EU PSU TSW110000010 / Standard package with US PSU TSW110000030 / Standard package with UK PSU TSW110000020 / Standard package with AU PSU TSW110000040 / Standard package with Power cable with 4-way screw terminal TSW110000060 / Mass packing code

# TSW110 SPATIAL MEASUREMENTS

## MAIN MEASUREMENTS

W x H x D dimensions for TSW110:

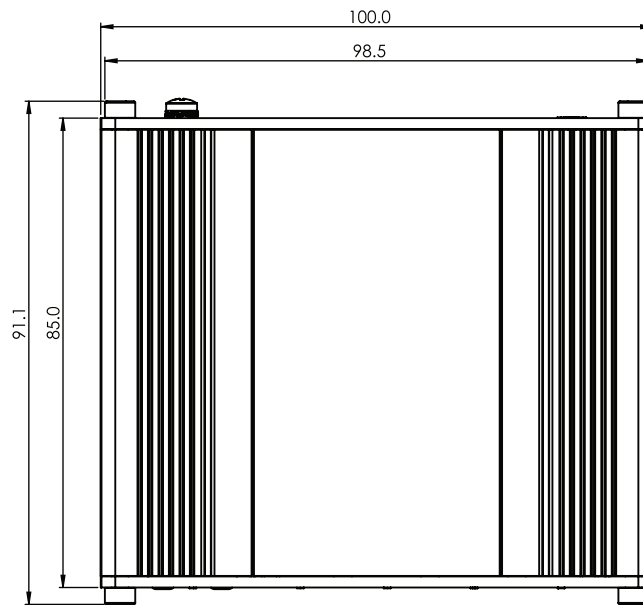
Device housing\*: 100 x 30 x 85 mm

Box: 173 x 71 x 148 mm

\*Housing measurements are presented without antenna connectors and screws; for measurements of other device elements look to the sections below.

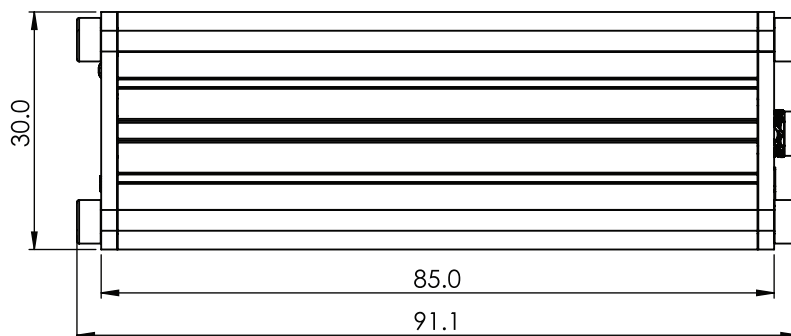
## TOP VIEW

The figure below depicts the measurements of TSW110 and its components as seen from the top:



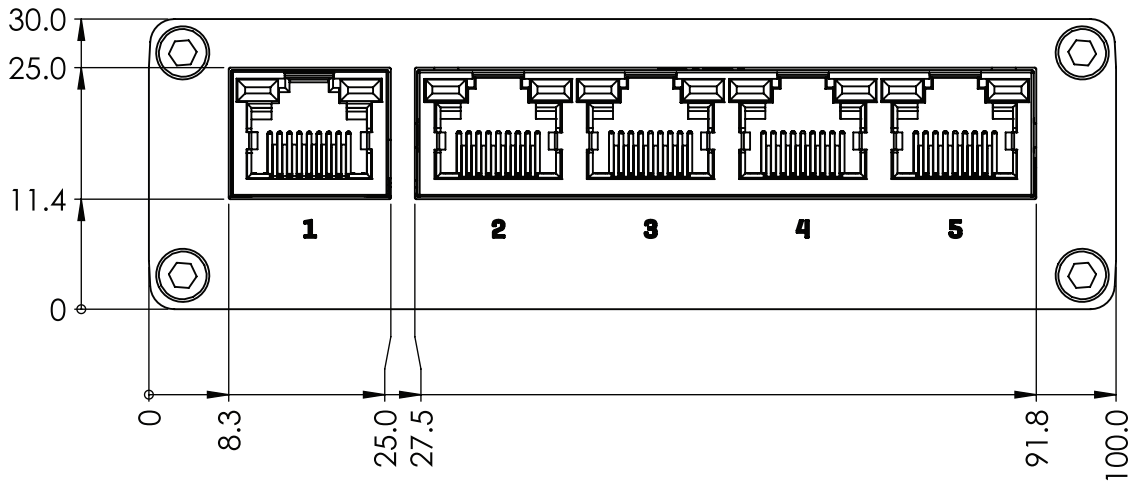
## RIGHT VIEW

The figure below depicts the measurements of TSW110 and its components as seen from the right side:



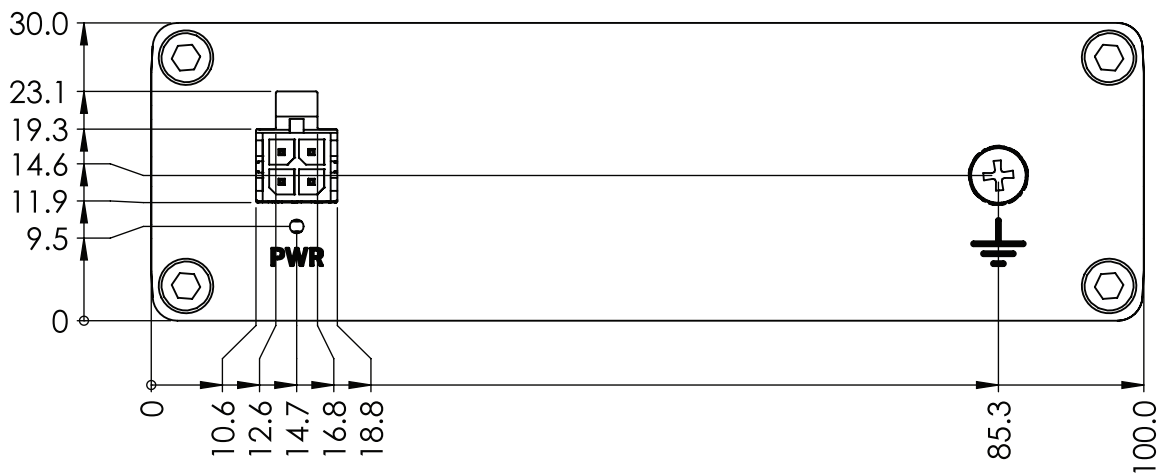
**FRONT VIEW**

The figure below depicts the measurements of TSW110 and its components as seen from the front panel side:



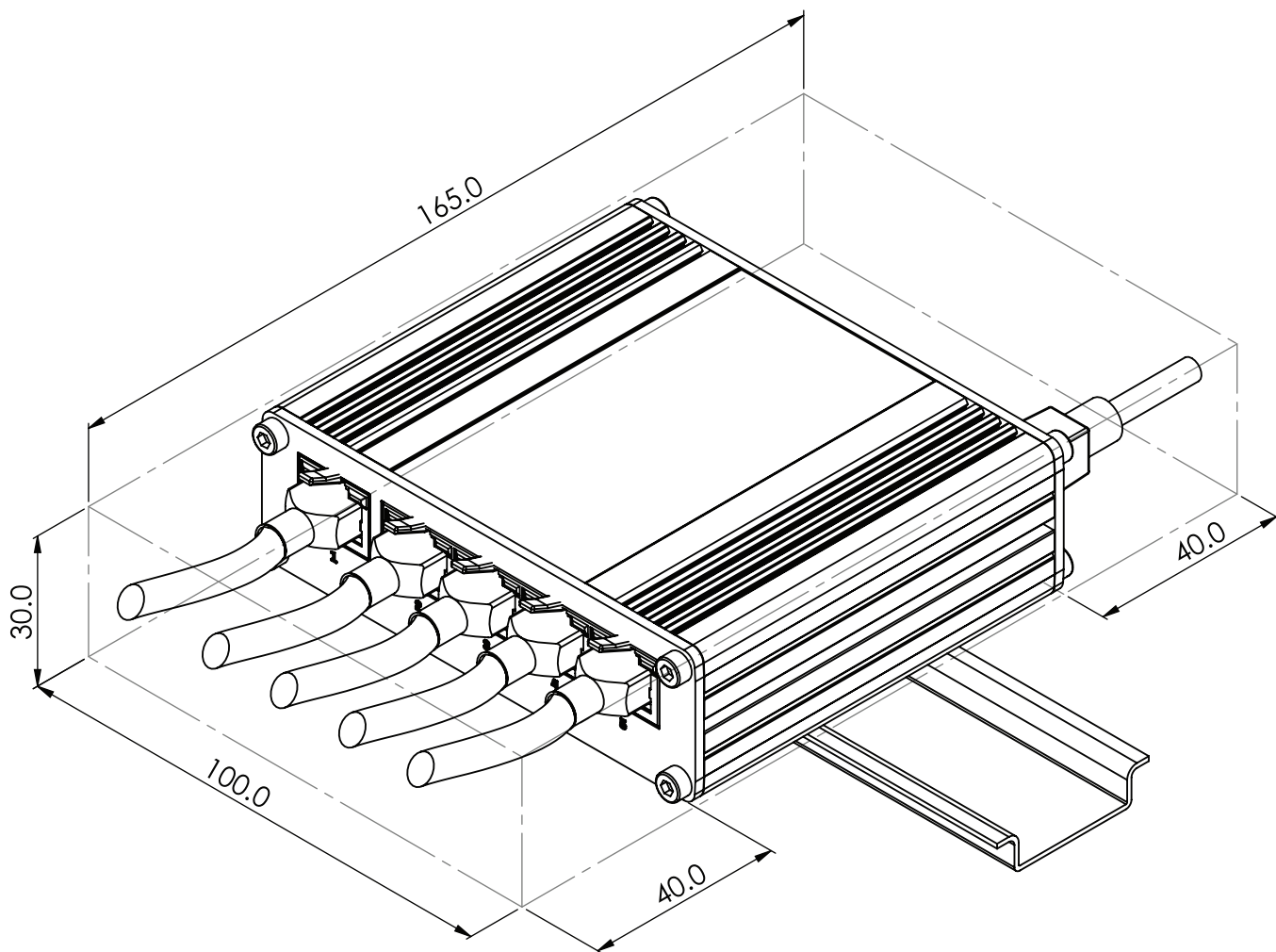
**REAR VIEW**

The figure below depicts the measurements of TSW110 and its components as seen from the back panel side:



**MOUNTING SPACE REQUIREMENTS**

The figure below depicts an approximation of the device's dimensions when cables and antennas are attached:



DIN RAIL

The scheme below depicts protrusion measurements of an attached DIN Rail:

